

4

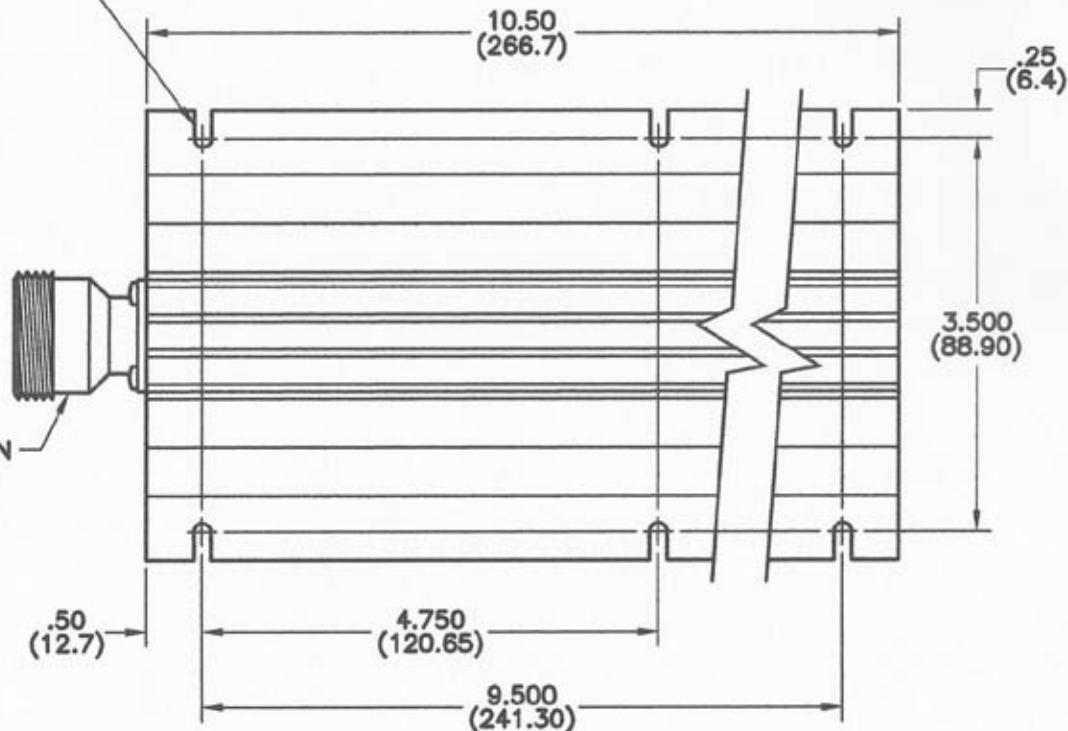
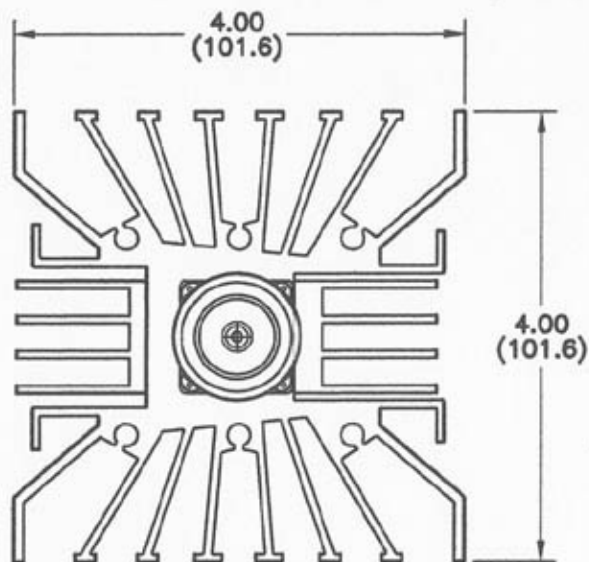
3

2

1

.156(3.96) WIDE SLOT
6 PLACES, TOP & BOTTOM

REVISIONS				
REV	ZONE	DESCRIPTION	DATE	BY ECO



7/16 DIN
FEMALE

SPECIFICATIONS

FREQUENCY RANGE - DC TO 6.0 GHz

IMPEDANCE - 50 OHMS

VSWR (DC - 2.0 GHz) - 1.20:1

(2.0 - 4.0 GHz) - 1.35:1

(4.0 - 6.0 GHz) - 1.40:1

INPUT POWER (AVG.) - 250 WATTS

(PEAK) - 2000 WATTS

OPERATING TEMPERATURE - -55°C TO +125°C

CONNECTOR TYPES - TYPE N, TNC, 7/16 DIN, PLUG OR JACK
(7/16 DIN JACK SHOWN)

WEIGHT - ~ 6.5 lbs

DIMENSIONS: INCHES
(MILLIMETERS)

TOLERANCES

DEC.XI ± .05 FRC ±

.XXX ± .010 ANG ±

MATERIAL

FINISH

THE INFORMATION CONTAINED IN
THIS DOCUMENT IS THE PROPERTY
OF MICROWAVE DEVICES, INC. AND
IS PROPRIETARY. IT IS NOT TO BE
COPIED OR USED FOR ANY PURPOSE
OTHER THAN AS INSTRUCTED, IN
WRITING, BY MICROWAVE DEVICES, INC.

SIGNATURES

DR G.V. Cothran 12-2-08

CHK

APPD

APPD

MICROWAVE DEVICES
(RF and Microwave Components)

OUTLINE, TERMINATION,
MODEL 6250-7F-6

CAGE SIZE DRAWING NO.
60674 B 900768-1

DRAWING SCALE 1:1 SHEET 1 OF 1

CONTACT MICROWAVE DEVICES - 1150 N. GRAHAM RD.
FRANKLIN, IN 46131
(317) 739-8533

DIMENSIONS ARE IN INCHES UNLESS
OTHERWISE SPECIFIED.

4

3

2

1